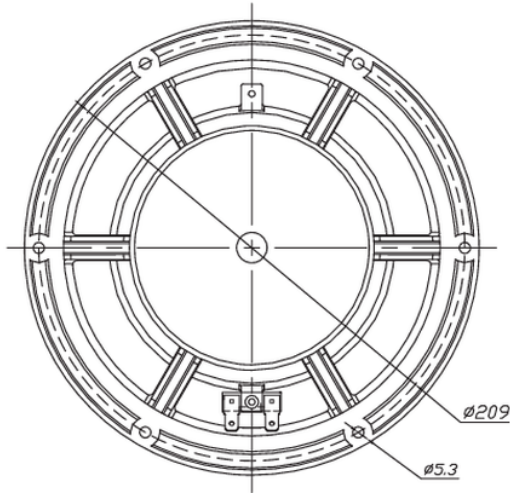
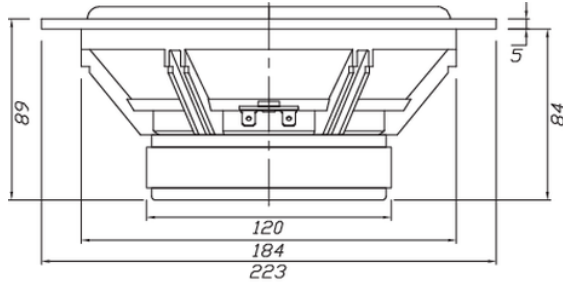




# RS225-8 8" Reference Woofer 8 Ohm

RS225-8



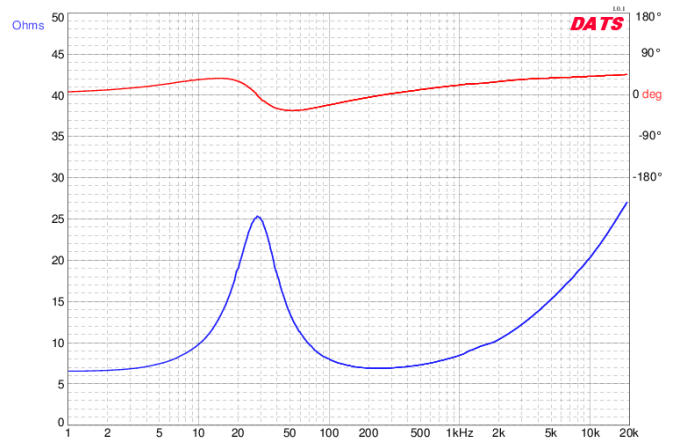
## PARAMETERS

|                             |                       |
|-----------------------------|-----------------------|
| Impedance                   | 8 ohms                |
| Re                          | 6.5 ohms              |
| Le                          | 0.86 mH @ 1 kHz       |
| Fs                          | 28.3 Hz               |
| Qms                         | 1.46                  |
| Qes                         | 0.51                  |
| Qts                         | 0.38                  |
| Mms                         | 35.8g                 |
| Cms                         | 0.88 mm/N             |
| Sd                          | 213.8 cm <sup>2</sup> |
| Vd                          | 149.7 cm <sup>3</sup> |
| BL                          | 9.05 Tm               |
| Vas                         | 56.8 liters           |
| Xmax                        | 7.0 mm                |
| VC Diameter                 | 38 mm                 |
| SPL                         | 86.8 dB @ 2.83V/1m    |
| RMS Power Handling          | 80 watts              |
| Usable Frequency Range (Hz) | 28 - 2,400 Hz         |

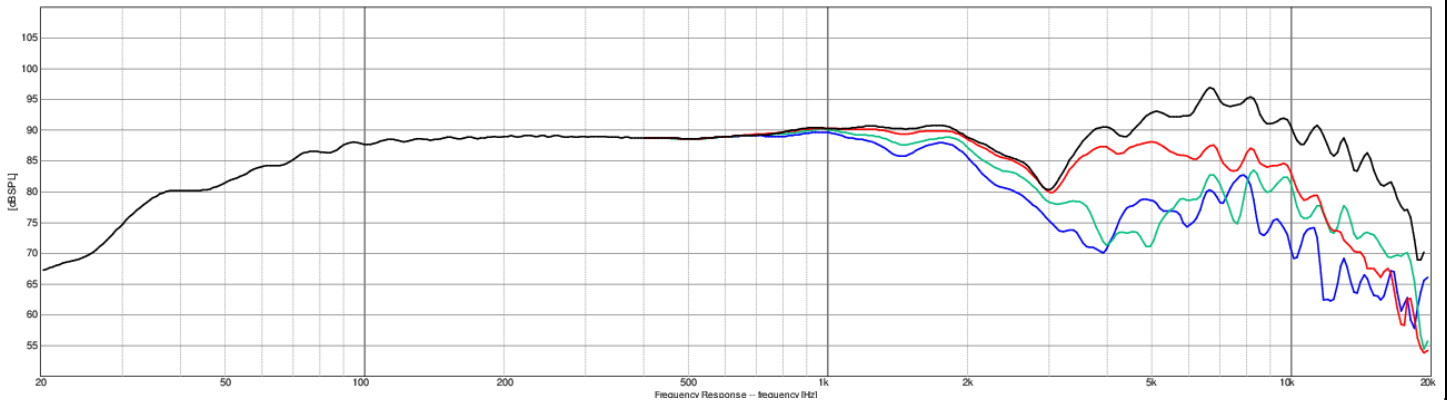
## FEATURES

- One of the lowest distortion, highest resolution driver series available
- Low-distortion high-excursion motor system with two short-circuit paths
- Compliant suspension and rigid black anodized aluminum cone for strong bass performance
- Heavy-duty 6-hole cast frame, low-loss rubber surround, and solid aluminum phase plug
- Designed and engineered in the USA

## IMPEDANCE/PHASE



## FREQUENCY RESPONSE



Note: 1/24<sup>th</sup> octave smoothing - nearfield response included in graph below 450 Hz.

Black = 0°  
Red = 15°  
Green = 30°  
Blue = 45°